

Ø4" PVC OUTLET
(optional for gravity flow)

16" Air Space

30"

Ø4" ABS
INLET

454 L.
(100 Gal.)

WATER LINE

53"

69"
55"

Ø1.25" Bulkhead
FPT x FPT

2,505 L.
(551 Gal.)

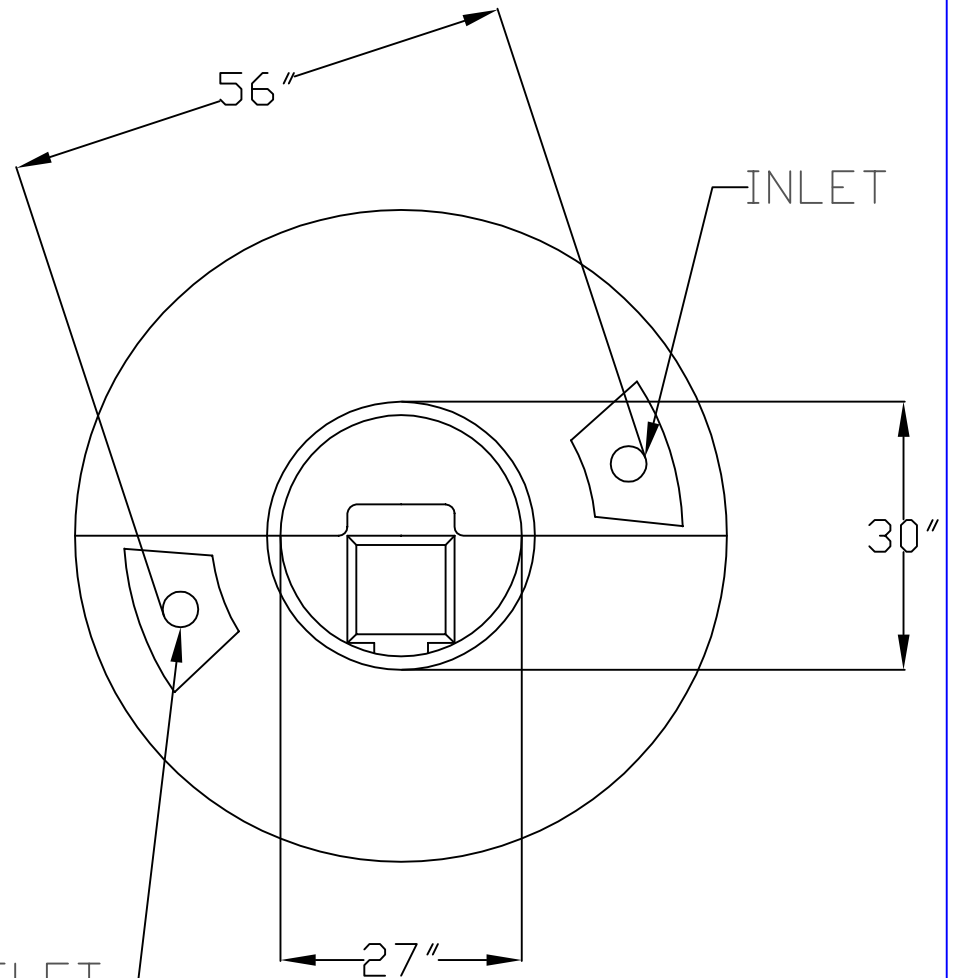
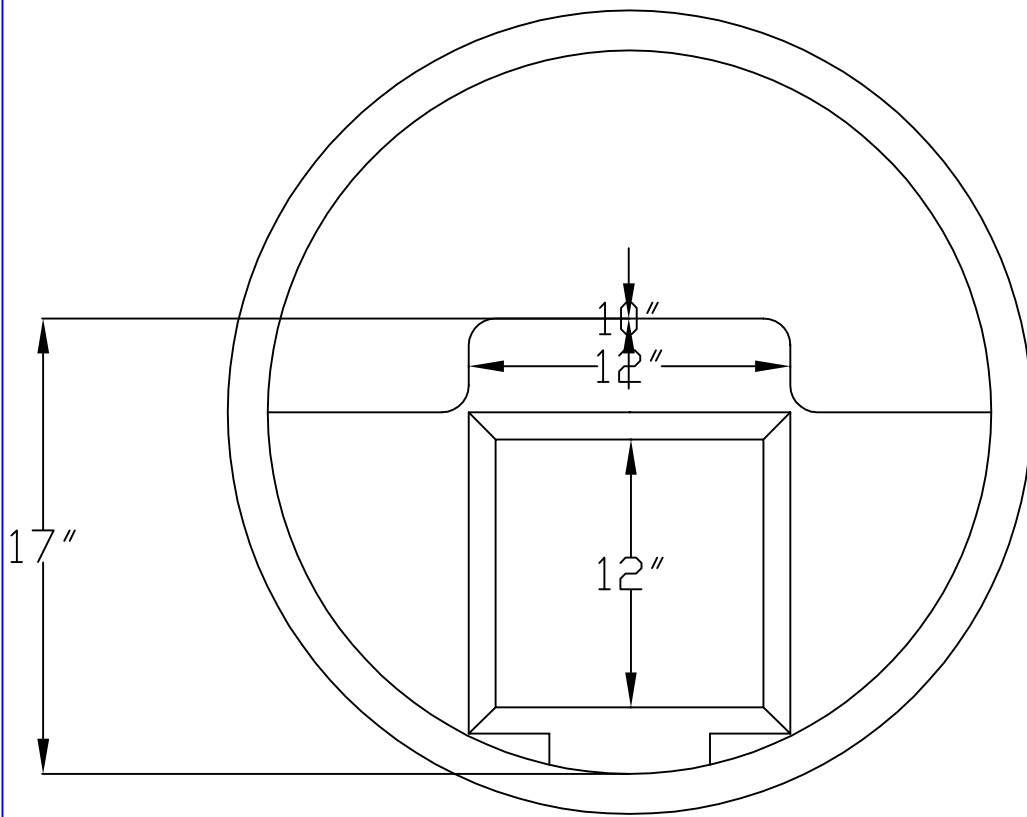
18.25"

73"

REVISIONS	


Concrete & Fiberglass Products Ltd.
 712 KENNESAW RD. VININGS BEACH, MD 206
 PA (304) 389-8651 FAX (204) 389-6688
 EMAIL: INFO@DLPRODUCTS.CA WEBSITE: WWW.DLPRODUCTS.CA

750 Ball	DATE: _____	DRAWN BY: _____
	SCALE: _____	PAGE: _____
		-- OF --



OUTLET
(OPTIONAL)

REVISIONS	

 Concrete & Fiberglass Products Ltd. 712 KENNESAW RD. VINNIPES BEACH, MD ROC 208 PH (204) 389-6651 FAX (204) 389-6650 EMAIL: INFO@DLPRODUCTS.CA WEBSITE: WWW.DLPRODUCTS.CA		
SHEET TITLES 1	DATE:	DRAWN BY:
	SCALE:	PAGE:
		-- OF --